



Enclosure

X-AIR-PCASE230V

Installation housing X-AIR-PCASE230V (closed lid)



Installation housing
Delivery status



Installation housing with
on-site addition Zone
module



Installation housing with
on-site addition Zone
module



Installation housing with
on-site addition Zone
module and splitter

X-AIR-PCASE230V enclosure for one zone module or one zone master.

X-AIRCONTROL enclosure for the fitting (by others) of a zone module or a zone master in a zone (room)

- 24 V AC power supply to the zone module or zone master through an integral transformer
- Connection of 230 V AC and looping through with 4-wire double terminals
- Optional fitting of an X-SENS-SPLITTER four-way splitter
- Pre-wired

General information	2	Order code	6
Function	3	Dimensions	7
Technical data	4	Product details	8
Specification text	5		

General information

Application

- Type X-AIR-PCASE230V enclosure for the fitting of a zone module or zone master
- Voltage supply to a zone module or a zone master and any connected components, such as volume flow controllers, valve actuators or sensors
- For the fitting of an X-SENS-SPLITTER four-way splitter
- Wall installation
- Ceiling installation (optional)

Special features

- Simple wall installation thanks to removable mounting bracket
- Simple installation of a zone module or zone master and the four-way splitter X-SENS-SPLITTER thanks to integral DIN mounting rails
- Transformer 230 V/24 V AC, including micro fuse, installed and wired
- Supply voltage connection and looping through with 4-wire double terminals
- The enclosure is delivered without a zone module or zone master

Parts and characteristics

- For supply voltage 230 V AC, 50 Hz
- 4-wire double terminals for looping through (L1/N/PE)
- Transformer with micro fuse 230 V AC to 24 V AC
- Integral mounting rail
- 2-pole connection plug to connect a zone module or zone master to the supply voltage
- Integral strain relief
- Bracket for wall installation

Useful additions

- Zone modules X-AIR-ZMO-MP, X-AIR-ZMO-MOD or X-AIR-ZMO-ANA
- X-AIR-ZMAS zone master module
- Four-way splitter X-SENS-SPLITTER
- X-AIR-PCASE-C optional mounting bracket for ceiling installation of X-AIR-PCASE230V

Materials and surfaces

- Casing in ABS plastic, UL 94 V-0
- Grey, RAL 7037

Maintenance

- Maintenance-free as construction and materials are not subject to wear
- Inspection and cleaning; regular cleaning from dust is recommended

Function

The X-AIR-PCASE230V enclosure is used for the fitting of a zone module or zone master. The X-AIR-PCASE230V enclosure comes with two integral mounting rails for a zone module / zone master, a four-way splitter X-SENS-SPLITTER and other components. The enclosure is made of ABS plastic. A pre-wired transformer in the X-AIR-PCASE230V supplies the zone module or the zone master via a two-pole connection plug with 24 V AC. The transformer has a micro fuse. As standard, the X-AIR-PCASE230V comes with a mounting bracket with four fixing holes (Ø5 mm) for wall installation. If you need to fix X-AIR-

PCASE230V to a ceiling, use the X-AIR.PCASE-C mounting bracket (accessory). The X-AIR-PCASE230V is delivered without a zone module, zone master or X-SENS-SPLITTER. These have to be installed on site, by others. 3 x 4-wire feed-through terminal blocks L1/N/PE are provided for the connection of the supply voltage. Cables can be fed through the rubber membranes at the side. The lid of the X-AIR-PCASE230V is secured with a safety device that prevents it from being opened by unauthorised persons. It can only be opened with a Phillips screwdriver.

Technical data

Supply voltage	230 V AC \pm 10%, 50 Hz
Power consumption (transformer)	35 VA max.
Micro fuse (transformer)	T250 mA (\varnothing 5 \times 20 mm, EN 60127-2/III)
Connection (spring-loaded terminals, 2.5 mm ² max.)	4-wire double terminals
Temperature – operation	-10 to 40 °C
Temperature – storage	-20 to 50 °C
Protection level	IP 20 (EN 60529)
IEC protection class	I (protective earth)
Installation location	Wall or ceiling installation (optional)
Dimensions with wall mounting bracket (B \times T \times H)	Approx. 282 \times 267 \times 155 mm with closed lid, approx. 282 \times 300 \times 380 mm with open lid
Dimensions with ceiling mounting bracket (B \times T \times H)	Approx. 282 \times 330 \times 150 mm with closed lid, approx. 282 \times 330 \times 380 mm with open lid
Enclosure	ABS plastic, UL 94 V-0, grey (RAL 7037)
Weight	Approx. 2700 g

Specification text

This specification text describes the general properties of the product. Texts for variants can be generated with our Easy Product Finder design program.

The X-AIR-PCASE230V enclosure is used for the fitting of a zone module or zone master. The enclosure is a plastic casing made of ABS. As standard, PCASE230V comes with a mounting bracket for wall installation. The mounting bracket has 4 holes (Ø5 mm) so that you can screw-fix it to the wall. If you need to fix the enclosure to a ceiling, use the X-AIR.PCASE-C mounting bracket (accessory). The X-AIR-PCASE230V is intended for use with a zone master or zone module and fitted with two mounting rails for installation. The X-AIR-PCASE230V is delivered without a zone module, zone master or splitter. These have to be installed on site, by others. 3 x 4-wire feed-through terminal blocks L1/N/PE are provided for the connection of the supply voltage. A 230 V/24 V AC transformer including micro fuse for supplying voltage to the various components is factory installed and wired. Cables can be fed through the rubber membranes at the side. The lid of the X-AIR-PCASE230V is secured with a safety device that prevents it from being opened by unauthorised persons. It can only be opened with a Phillips screwdriver.

Special features

- Simple wall installation thanks to removable mounting bracket
- Simple installation of a zone module or zone master and the four-way splitter X-SENS-SPLITTER thanks to integral DIN mounting rails
- Transformer 230 V/24 V AC, including micro fuse, installed and wired
- Supply voltage connection and looping through with 4-wire double terminals
- The enclosure is delivered without a zone module or zone master

Materials and surfaces

- Casing in ABS plastic, UL 94 V-0
- Grey, RAL 7037

Technical data

- Supply voltage: 230 V AC ±10%, 50 Hz
- Power consumption (transformer): 35 VA max.
- Micro fuse (transformer): T250 mA (Ø5 × 20 mm, EN 60127-2/III)
- Connection (spring-loaded terminals, max. 2.5 mm²: 4-wire double terminals
- Temperature – operation: -10 – 40°C
- Temperature – storage: -20 – 50°C
- Degree of protection: IP20 (EN 60529)
- IEC protection class: I (protective conductor)
- Dimensions with wall mounting bracket (B × T × H): approx. 282 × 267 × 155 mm with closed lid, approx. 282 × 300 × 380 mm with open lid
- Dimensions with ceiling mounting bracket (B × T × H): approx. 282 × 330 × 150 mm with closed lid, approx. 282 × 330 × 380 mm with open lid
- Casing: ABS plastic, UL 94 V-0, grey (RAL 7037)
- Weight: Approx. 2700 g



Order code

X-AIR-PCASE230V

|
1

1 Type

X-AIR-PCASE230V

Useful additions

X-AIR ZMO-ZMAS Zone master

X-AIR ZMO MOD Modbus RTU zone module

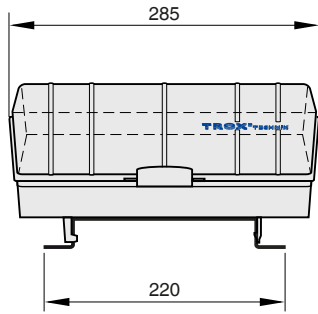
X-AIR-ZMO-ANA Analogue zone module

X-SENS-SPLITTER Four-way splitter

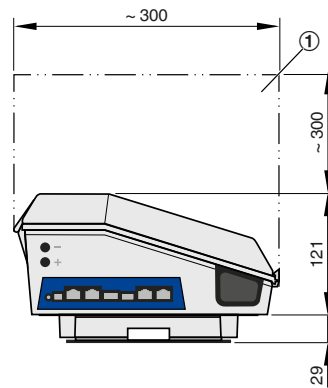
X-AIR-PCASE-C Ceiling mounting bracket

Dimensions

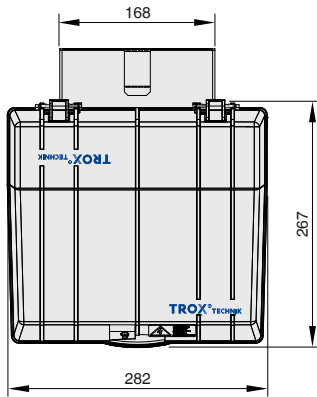
X-AIR-PCASE230V with wall bracket



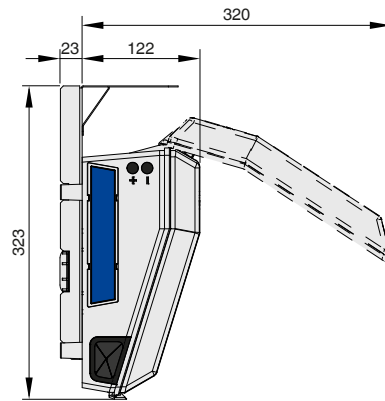
X-AIR-PCASE230V with wall bracket



X-AIR-PCASE230V with ceiling bracket



X-AIR-PCASE230V with ceiling mounting bracket

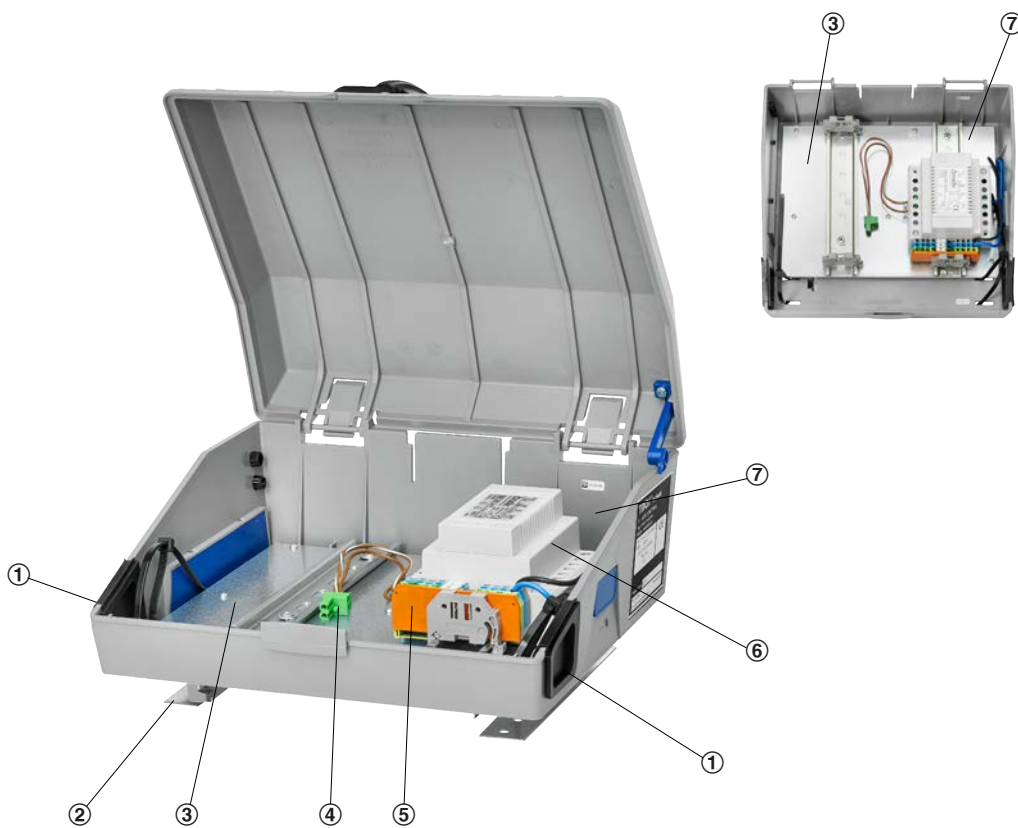


Product details

Installation and commissioning

- Screw-fix the supplied brackets to the wall or ceiling as required, then press the X-AIR-PCASE230V onto the brackets until it locks into place.
- Mount the zone module or zone master and, if required, the four-way splitter X-SENS-SPLITTER onto the mounting rails.
- Wire up the zone master or zone module and, if necessary, the four-way splitter
- Use the two-pole plug connector to connect the zone module or zone master to the 24 V AC supply voltage (for zone modules: pay attention to choose the correct position)
- Connect the 230 V AC supply voltage
- Close the lid with the safety device
- Check the function of all the connected components

Schematic representation of X-AIRCONTROL



1 cable entry

2 wall brackets (scope of delivery)

3 Installation space for zone module or master

4 connector for zone module or master (24 VAC)

Connection for:

5 Supply voltage 230 VAC

6 transformer 230V / 24V AC

7 Installation location for four-way distributor X-SENS-SPLITTER