

▶ **Powered fan coil
units** ▶ ▶
Serie TFCUP



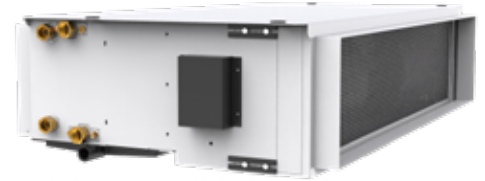
**Efficient, versatile
air conditioning**

TROX[®] TECHNIK
The art of handling air

► Powered fan coil units ►►

TROX presents their new, high-pressure fan coil units for efficient air handling and ventilation

TROX has expanded their TFCU Series of fan coil units with the addition of the TFCUP Series of powered units. This new variant not only retains the tried and tested technical specifications of the current range, but also offers an alternative solution for premises with ductwork.



Versatility

TROX's fan coil units are especially recommended for horizontal installation concealed in the ductwork of hotel rooms, hospitals, open work spaces and medium-sized commercial premises.

They can be configured with a wide range of components to adapt their performance to the technical ventilation requirements, offering an acoustically sound, energy-efficient solution.

Discreet

Their compact size makes them integrate, subtly and perfectly, within a design concept developed for the rooms.

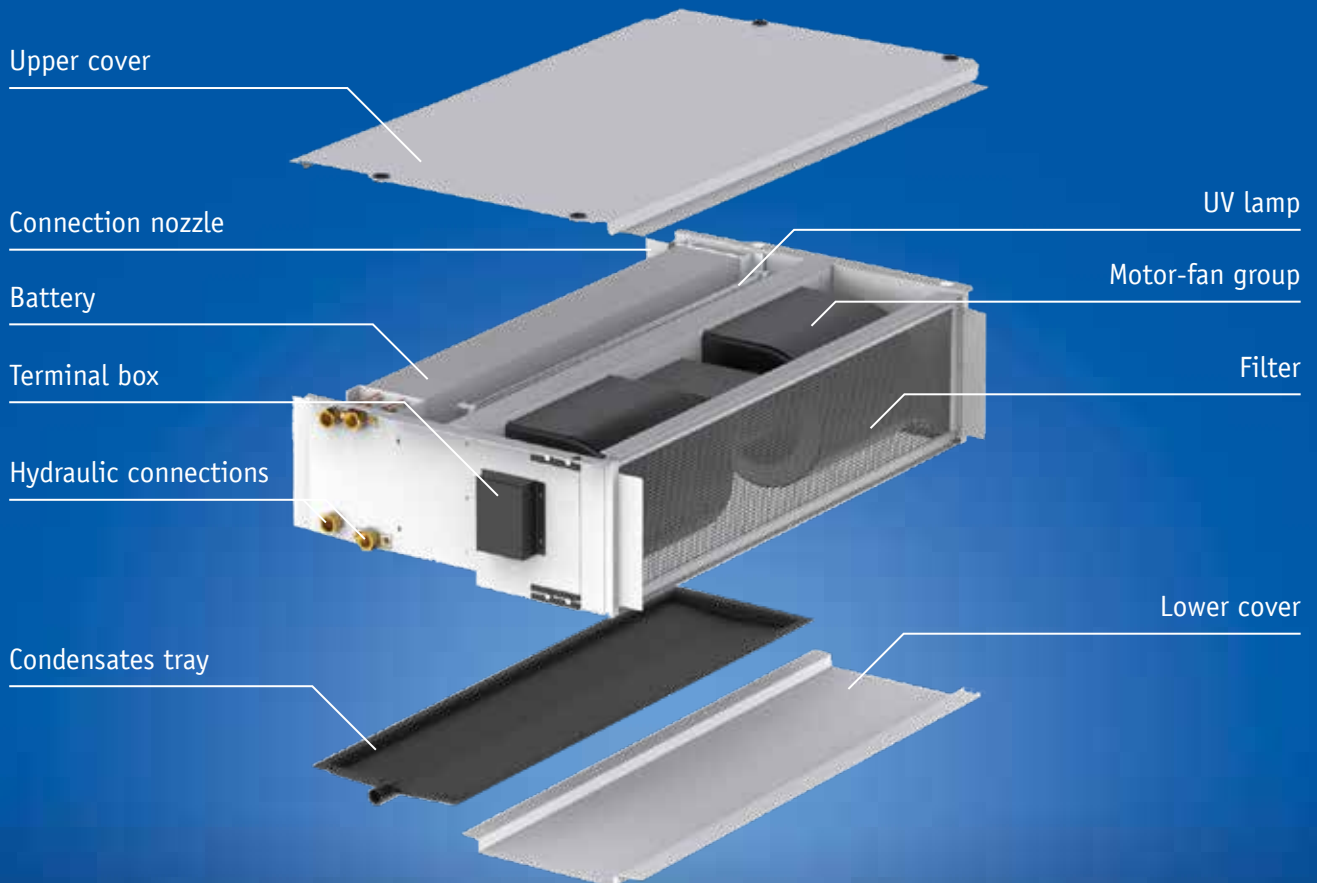
They can be installed in view (suspended from the ceiling) or concealed (incorporated in a false ceiling).

The external design is finished with the new TROX modular X-GRILLE.

Our fan coil units are the perfect complement to the TROX product portfolio, which includes everything from air handling units to control units, diffusers and nozzle units.



► Easy to Assemble ►►



Technical Specifications

- Air-flow range:
225 – 1.700 m³/h
62,5 – 472 l/s
- Capacity
up to 10 kW cooling
and 10.5 kW heating
- Maximum pressure
on the water side 16 bar
- Maximum pressure
air 70 Pa
- Wide range of coils
for 2T and 4T installations
and for district cooling
systems

Components

Coil

- 2 or 4 tubes, optional

Terminal box

- Quick-connection terminals

Fixing elements

- Rubber vibration absorbers

Filters

- Cleanable G2 filter
- Metallic frame
- Easily removeable from the side

Condensates tray

- Inclined towards the drain

Convactor fan group

- Low-noise fans
- High performance EC motors
- Variable speed, 0-10 V

Accessories

*Available for order,
but not the standard variety.*

UV lamps

- Kill germs and harmful
substances

Acoustic insulation

- Sandwich panels with internal
insulation can be incorporated
for buildings with high
acoustic demands



TROX[®] TECHNIK
The art of handling air

TROX España

Polígono Industrial La Cartuja
E-50720 Zaragoza - Spain
T +34 976 50 02 50
trox@trox.es
www.trox.es

Choice of software

You can use TROX's FCUS online tool to select, calculate and configure your ideal solution from our full range of fan coil units.

FCUS is an intuitive, user-friendly web application that allows you to flexibly select and configure the complete family of TROX TFCU fan coils and their compatible accessories.

You just need a username and password provided from us here at TROX España.