



TYPE MIN/MAX ACTUATORS

FOR CONSTANT VOLUME FLOWS WITH
V_{MIN}/V_{MAX} SWITCHING IN
AIR CONDITIONING SYSTEMS

Actuators for mechanical self-powered CAV controllers Type EN, RN, or VFC,
and for flow adjustment dampers Type VFR

- Switching between two volume flow setpoint values, e.g. for daytime and night-time operation
- Supply voltage 24 V AC/DC or 230 V AC
- Control input signal: 1-wire control or 2-wire control (3-point)
- Potentiometer or mechanical stops
- Positive lock connection with CAV controller
- Retrofit possible

Application

Application

- Actuators for min/max switching
- Switching between volume flow setpoint values of mechanical self-powered CAV controllers Type RN, EN or VFC
- Change of the damper blade positions of flow adjustment dampers Type VFR

Description

Parts and characteristics

- Potentiometer or mechanical stops for setting the volume flow rate setpoints
- Supply voltage 24 V AC/DC or 230 V AC
- Overload protection
- 1-wire control or 2-wire control (3-point)
- Optional auxiliary switch for capturing the end positions

INFORMACIÓN TÉCNICA

Functional description

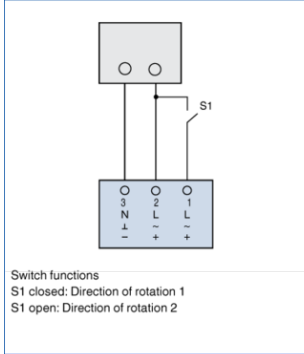
The actuator moves a damper blade or a damper blade mechanism to the minimum or maximum position.

Minimum and maximum positions can be set on potentiometers or using mechanical stops.

1-wire control or 2-wire control (3-point) can be used.

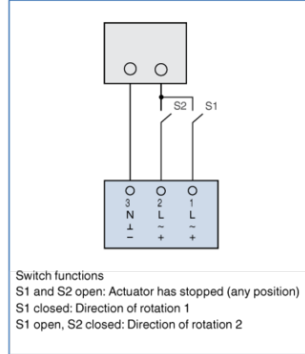
1-wire control is actually an open/close control or min/max control.

1-wire control



Control input signal for module groups B** and E**
Direction of rotation 1: V_{max}
Direction of rotation 2: V_{min}

2-wire control (3-point)



Control input signal for attachment group M**
Direction of rotation 1: V_{min}
Direction of rotation 2: V_{max}

Actuators for volume flow controllers Type RN or EN

Order code detail	Actuator			Auxiliary switch	
	Part number	Model	Supply voltage	Part number	Model
B50	M466DT4	LM24A-F	24 V	-	-
B52	M466DT4	LM24A-F	24 V	M536AI3	S2A
B60	M466DT5	LM230A-F	230 V	-	-
B62	M466DT5	LM230A-F	230 V	M536AI3	S2A

Actuators for volume flow controllers Type VFC and for flow adjustment dampers Type VFR

Order code detail	Part number	Model	Setpoint setting	Supply voltage
E01	M466EP6	224-024-02	Potentiometer	24 V
M01	M466EP4	CM24-F	Mechanical stops	24 V
E02	M466EP8	224-230-02	Potentiometer	230 V
M02	M466EP5	CM230-F	Mechanical stops	230 V

TROX España



Ctra. Castellón, Km. 7
Pol. Ind. La Cartuja
E-50720 Zaragoza
Tel: +34 976 50 02 50
Fax + 34 976 50 09 04
Email: trox@trox.es

Servicios myTROX

- › Contactos
- › Formulario de contacto
- › Mapa de situación
- › Condiciones de venta y garantía
- › TROX Plazos de entrega
- › Certificado AENOR
- › Certificado IQNet
- › Certificado TÜV

Contacto telefónico:

Delegaciones comerciales
[Contacto](#)

Customer Service
+34 976 50 02 50
Horario de atención al cliente: de Lunes a Jueves de 9:00 a 14:00 y de 15:30 a 17:30 · Viernes de 9:00 a 14:00 h

TROX EN REDES SOCIALES