

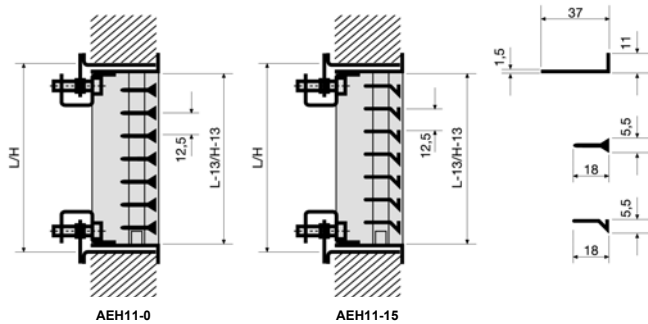
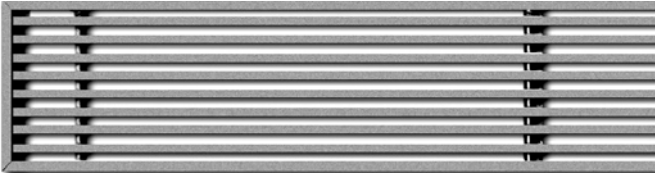
TROX Española, S.A.

Pol. Ind. La Cartuja  
50720 Zaragoza  
Teléfono 976 50 02 50  
Telefax 976 50 09 04  
www.trox.es  
e-mail trox@trox.es

## Product Information Grilles AEH11

PI/1/1/SP/5

### Grille AEH11



### Description

Grille suitable for supply or return air for installation in walls or cills. Made from extruded aluminium sections, natural anodised finish for the standard construction or under request powder coated to RAL non defined.

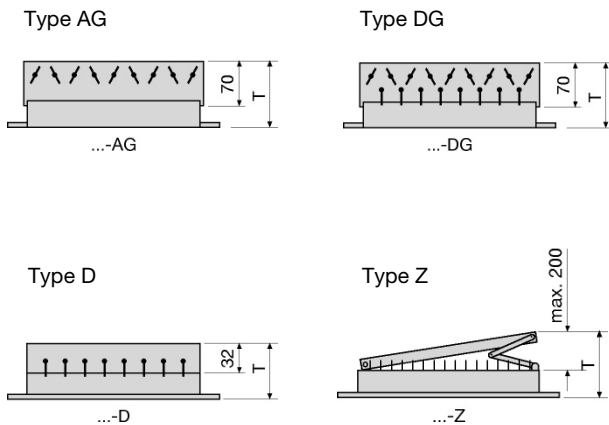
Provided with a front border of 11 mm and concealed fixing. Width and fixed horizontal profiled blades, available in two construction types: AEH11-0, with air deflection 0°, and AEH11-15, with air deflection 15°.

Under request this grille is available with installation subframe.

### Effective outlet area $A_{ef}$ in $m^2$

H (mm)	L (mm)							
	210	310	410	510	610	810	1010	1210
60	0,006	0,009	0,011	0,014	0,017	0,022	0,028	0,034
110	0,011	0,017	0,022	0,028	0,034	0,044	0,055	0,066
150	-	0,022	0,03	0,037	0,045	0,06	0,075	0,09
210	-	0,034	0,044	0,055	0,066	0,087	0,108	0,129
310	-	-	0,066	0,081	0,096	0,129	0,169	0,193
410	-	-	-	-	0,129	0,169	0,214	0,256

### Rear parts



The rear assemblies are permanently fitted at the factory to the various types of grille face. There different combination, which are made from formed sheet steel. The surface is powder coated black (RAL 9005).

#### ... - AG

Opposed blade action volume control damper, adjustable from the front face.

#### ... - DG

Volume control damper as ... -AG plus a set of individually adjustable vertical air pattern control blades.

#### ... - D

A set of individually adjustable vertical air pattern control blades.

#### ... - Z

Flap type volume control with stamped pattern air straightening blades, adjustable from front face.

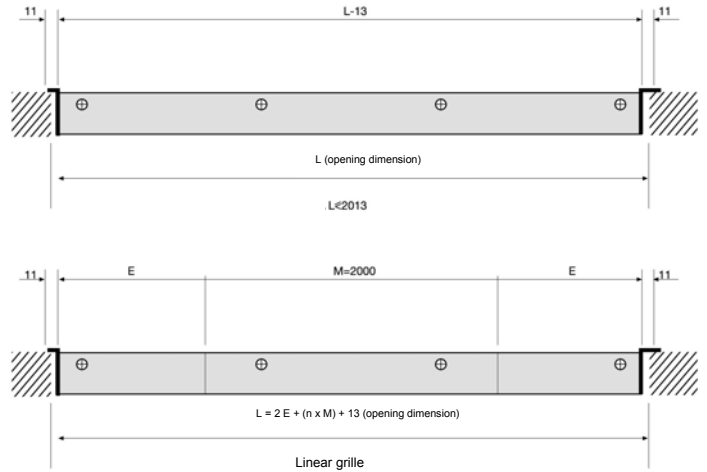
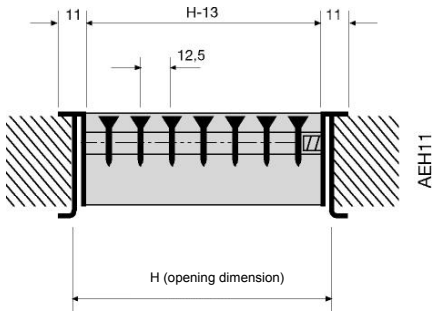
TROX Española, S.A.

Pol. Ind. La Cartuja  
50720 Zaragoza  
Teléfono 976 50 02 50  
Telefax 976 50 09 04  
www.trox.es  
e-mail trox@trox.es

## Product Information Grilles AEH11

PI/1/1/SP/5

### Opening dimension at site for installation of linear grilles



### Acoustic data for supply and return air please check leaflet "Grilles and linear grilles" 1/1/EN/5

#### Order code

