

Conforme à VDI 6022



TFP



FOR CRITICAL AIR CLEANLINESS AND VERY CRITICAL HYGIENE REQUIREMENTS, SUITABLE FOR CEILING INSTALLATION

Pharmaceutical clean room terminal filters as final filter stage with Mini Pleat filter panels for the separation of suspended particles. Used in highly sensitive areas in pharmaceuticals, medicine, and biology

- Mini Pleat filter panels with downstream fluid seals meet the highest hygiene requirements
- Easy, time-saving, and secure filter change
- Diffuser face is held in place by magnets and can be hinged down to facilitate cleaning and validation; filter change without tool
- Robust, welded construction
- Compact construction, suitable for low ceiling heights
- Various diffuser face plates to ideally meet individual requirements
- Horizontal or vertical connection
- Removable spigot for installation into closed ceilings in case of horizontal connection
- For air cleanliness classes 5 to 8 according to ISO 14644-1
- Meets the hygiene requirements of VDI 6022

Application



Application

- Pharmaceutical clean room terminal filter type TFP for ceiling installation as final filter stage and for air distribution in sensitive areas of the pharmaceutical industry
- Fitting of filter elements for the separation of suspended particles such as aerosols, toxic dusts, viruses and bacteria from the supply or extract air

Special characteristics

- Compact construction
- Flush ceiling installation
- Removable spigot for installation into closed ceilings
- Diffuser face plate can be hinged down

Description



Variants

- TC: Top entry circular spigot
- SC: Side entry circular spigot
- SCR: Side entry circular spigot, removable

Construction

- Sheet steel, powder-coated RAL 9010, pure white

Attachments

- FD: Ceiling swirl diffuser
- TDF: Ceiling swirl diffuser

Useful additions

- Mini Pleat filter panels (MFP)
- Suitable filter elements to be ordered separately

Construction features

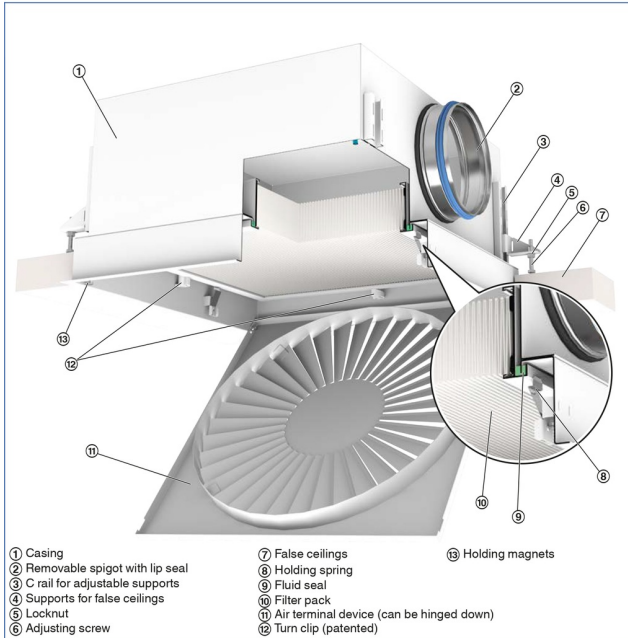
- Welded filter casing with sealing frame for fitting filter elements, with a seal on the downstream side
- Mounted pressure measurement points to monitor the operating differential pressure and with internal measuring tube

Materials and surfaces

- Casing and diffuser face plate made of sheet steel, powder-coated RAL 9010, pure white

INFORMACIÓN TÉCNICA

Schematic illustration TFP-SCR-FC



Pharmaceutical clean room terminal filter type TFP for ceiling installation as final filter stage and for air distribution in sensitive areas of the pharmaceutical industry.

Fitting of filter elements for the separation of suspended particles such as aerosols, toxic dusts, viruses and bacteria from the supply or extract air.

Welded filter casing with sealing frame for fixing the Mini Pleat filter panels, with a fluid seal on the downstream side.

With top entry or side entry spigot; removable spigot as an option.

The Mini Pleat filter panels are pressed into place using a tensioning frame with knurled screws.

Casing with mounted pressure measurement points to monitor the operating differential pressure and with internal measuring tube.

Diffuser face plate made of sheet steel, powder-coated (RAL 9010), types FD and TDF; can be hinged down to facilitate disassembly and cleaning.

Leakage test for each casing.

Special characteristics

- Compact construction
- Flush ceiling installation
- Removable spigot for installation into closed ceilings
- Diffuser face plate can be hinged down

Materials and surfaces

- Casing and diffuser face plate made of sheet steel, powder-coated RAL 9010, pure white

Construction

- Sheet steel, powder-coated RAL 9010, pure white

TFP

TFP – SC – FD / 600 x 198 x 350					
1	2	3	4	5	6

1 Type

TFP Tillufts-enhet for renrom med filter

4 Nominell størrelse [mm]

400

500

600

625

2 Konstruksjonsvariant

TC Toppanslutning sirkulær stuss

SC Sideanslutning sirkulær stuss

SCR Sideanslutning sirkulær stuss, avtagbar

5 Stussdiameter [mm]

D

3 Ventilfront

FD

TDF

6 Høyde på sarg [mm]

250

350