

## TYPE EM-TRF

### FOR THE CONNECTION OF EASYLAB TO THE 230 V MAINS

Expansion module for the direct connection of EASYLAB controllers Type TCU3 and adapter modules Type TAM to the 230 V mains

- Double-stack terminal blocks for 230 V supply voltage connection
- Electric plug connection to the main PCB
- The expansion module is fitted into the casing with the EASYLAB base component

## Application

### Application

- Expansion module Type EM-TRF for the EASYLAB system
- For the connection of EASYLAB base components (controller TCU3 or adapter module TAM) to the 230 V AC supply voltage (mains)
- Power supply for the base component and the connected modules
- Factory mounted or for retrofitting into the EASYLAB base component casing

### Special characteristics

- Ready for installation, can be easily connected to the main PCB
- Double-stack terminal blocks for 230 V AC supply voltage connection
- Simple electrical connection of expansion module and EASYLAB main PCB using a connection plug
- Simple wiring of switch-operated fume cupboard lighting in combination with the EM-LIGHT expansion module

## Description

### Parts and characteristics

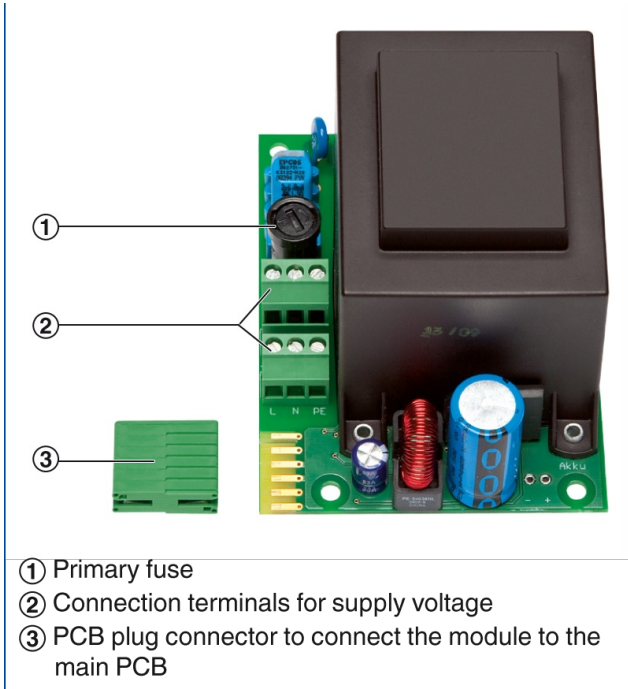
- Mains transformer 230 V AC (primary), 24 V AC (secondary)
- PCB plug connector to connect the module to the EASYLAB main PCB

### Construction features

- PCB dimensions and fixing points correspond to the EASYLAB main PCB and the casing
- Fixing with screws
- Double-stack terminal blocks for simply 230 V supply voltage connection

## INFORMACIÓN TÉCNICA

### EM-TRF



Supply voltage	230 V AC $\pm$ 10 %, 50/60 Hz
Power consumption	up to 40 VA for a controller with all expansion modules; up to 35 VA for a fume cupboard controller with control panel; up to 33 VA for a room controller with control panel; up to 29 VA for a room controller without control panel; up to 9 VA for an EASYLAB adapter module TAM
Primary fuse	50 mA slow blow, 250 V
Double-stack terminals	Cable cross-section up to 2.5 mm <sup>2</sup>
Operating temperature	0 – 50 °C
IEC protection class	I (protective earth)
Protection level	IP 20
EC conformity	EMC to 2004/108/EG, low voltage to 2006/95/EG
Weight	1.3 kg

Expansion module for the EASYLAB base component (controller TCU3 or adapter module TAM) that can be directly connected to a 230 V AC supply voltage. The expansion module includes a transformer whose secondary voltage (24 V) is equal to the supply voltage for the controller and the expansion modules connected to it.

#### Special characteristics

- Ready for installation, can be easily connected to the main PCB
- Double-stack terminal blocks for 230 V AC supply voltage connection
- Simple electrical connection of expansion module and EASYLAB main PCB using a connection plug
- Simple wiring of switch-operated fume cupboard lighting in combination with the EM-LIGHT expansion module

#### Technical data

- Supply voltage: 230 V AC  $\pm$  10 %, 50/60 Hz
- Power consumption: up to 40 VA for a controller with all expansion modules; up to 35 VA for a fume cupboard controller with control panel; up to 33 VA for a room controller with control panel; up to 29 VA for a room controller without control panel; up to 9 VA for an EASYLAB adapter module TAM
- Double-stack terminal blocks: Cable cross-section up to 2.5 mm<sup>2</sup>
- Protection level: IP 20

Order code detail for control component  
ELAB (TCU3) or TAM

ELAB / ... / T... / ...

Expansion module EM-TRF for retrofit

EM-TRF

## TROX España



Ctra. Castellón, Km. 7  
Pol. Ind. La Cartuja  
E-50720 Zaragoza  
Tel: +34 976 50 02 50  
Fax + 34 976 50 09 04  
Email: [trox@trox.es](mailto:trox@trox.es)

## Servicios myTROX

- › [Contactos](#)
- › [Formulario de contacto](#)
- › [Mapa de situación](#)
- › [Condiciones de venta y garantía](#)
- › [TROX Plazos de entrega](#)
- › [Certificado AENOR](#)
- › [Certificado IQNet](#)
- › [Certificado TÜV](#)

## Contacto telefónico:

Delegaciones comerciales  
[Contacto](#)

Customer Service  
+34 976 50 02 50

Horario de atención al cliente: de Lunes a  
Jueves de 9:00 a 14:00 y de 15:30 a 17:30 ·  
Viernes de 9:00 a 14:00 h

## TROX EN REDES SOCIALES